



MODEL LM

SUPPLY CURVED BLADE CEILING GRILLES/
REGISTERS - ALUMINUM - W/ MS DAMPER

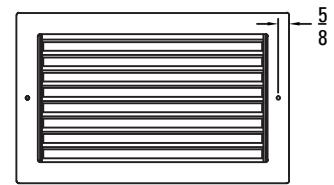
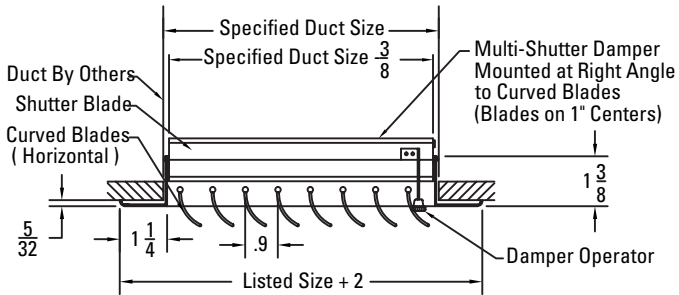
Project: _____
 Tag: _____
 Engineer: _____
 Contractor: _____
 Date: _____

MODELS

- LM-1:** One Way Blow - Long Blades - MS Damper
- LTM-1:** Two Way Blow - Long Blades - MS Damper

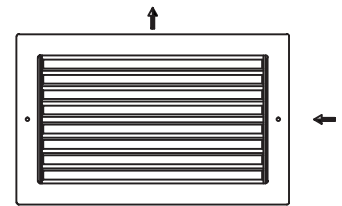
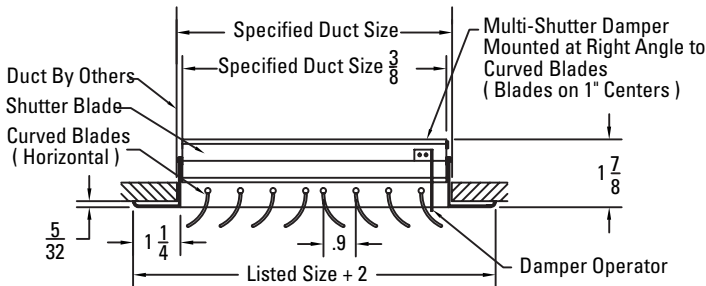
- LTCM-1:** Two Way Corner Blow - Horizontal MS Damper
- LTC3M-1:** Three Way Corner Blow - Horizontal MS Damper

LM-1 (Supply Register - One Way - Long Blades)



Face View (LM-1 Model)

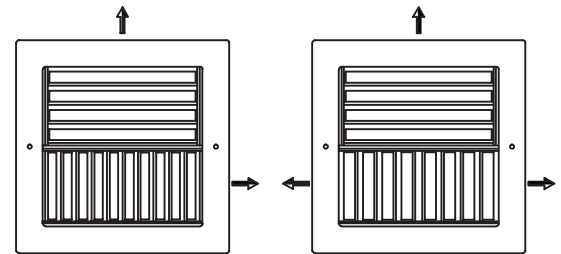
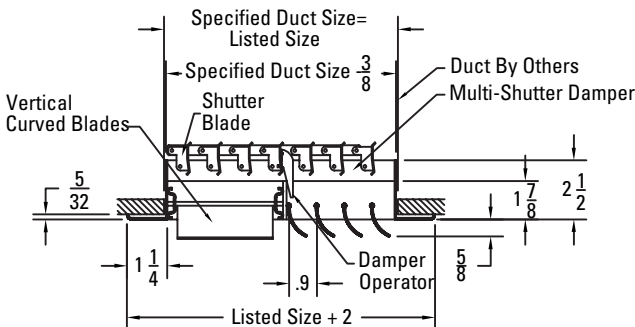
LTM-1 (Supply Register - Two Way - Long Blades)



Face View (LTM-1 Model)

LTCM-1 (Supply Register - Two Way - Horizontal Multi-Shutter Damper)

LTC3M-1 (Supply Register - Three Way - Horizontal Multi-Shutter Damper)



Face View (LTCM-1 Model)

Face View (LTC3M-1 Model)

Note: Available in sizes 6 x 6, 8 x 8, 10 x 10, 12 x 12, 14 x 14 Only.

Note: Arrow shows air blow way.

All Dimensions are in Inches.

As part of our continuous improvement program, we reserve the right to make further improvements without notice.

Submittal - LM - 0320



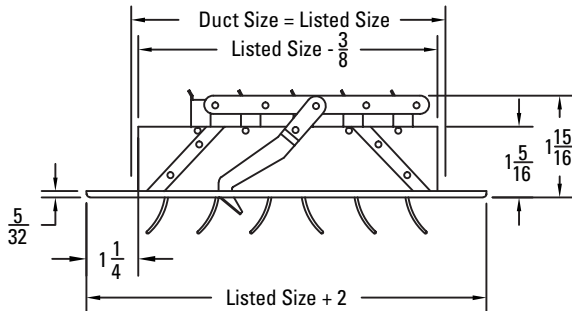
SUPPLY CURVED BLADE CEILING GRILLES/
REGISTERS - ALUMINUM - W/ MS DAMPER

MODELS

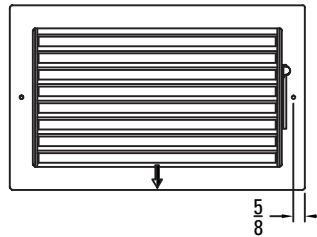
LMH-1: One Way - Long Blades - Horizontal MS Damper
LTMH-1: Two Way - Long Blades - Horizontal MS Damper

LS3M-1: Three Way Corner Blow - Horizontal MS Damper
LS4M-1: Four Way Corner Blow - Horizontal MS Damper

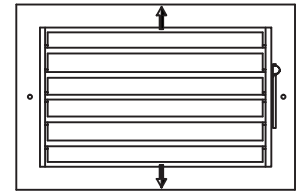
LMH-1 (Supply Register - One Way - Long Blades w/ Horizontal Multi-Shutter Damper)
LTMH-1 (Supply Register - Two Way - Long Blades w/ Horizontal Multi-Shutter Damper)



Face View (LMH-1 Model)

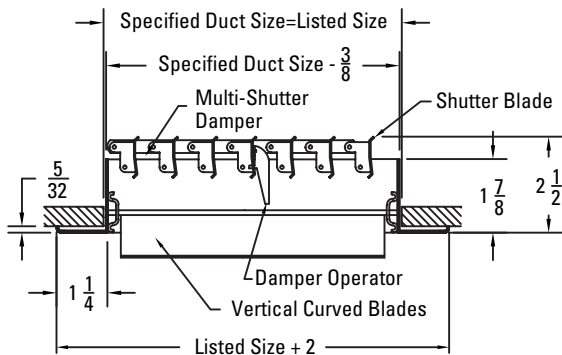


Face View (LTMH-1 Model)

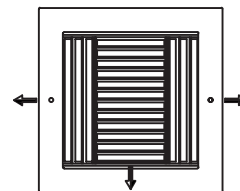


Note: Available in Sizes 6 x 4, 8 x 4, 10 x 4, 12 x 4, 14 x 4, 6 x 6, 8 x 6, 10 x 6, 12 x 6, 14 x 6, 8 x 8, 10 x 8, 12 x 8, 14 x 8, 10 x 10 and 12 x 12.

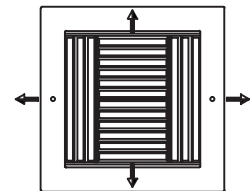
LS3M-1 (Supply Register - Three Way - Corner Blow Pattern w/ Horizontal Multi-Shutter Damper)
LS4M-1 (Supply Register - Four Way - Corner Blow Pattern w/ Horizontal Multi-Shutter Damper)



Face View (LS3M-1 Model)



Face View (LS4M-1 Model)



Note: Available in sizes 6 x 6, 8 x 8, 10 x 10, 12 x 12, 14 x 14 Only.

Note: Arrow shows air blow way.

All Dimensions are in Inches.

1. Available Finishes	2. Available Accessories	3. Available Options	4. Construction Details
<p>Standard Finish: 01 White</p> <p>Optional Finish (no extra charge): 24 Mill Finish</p>			<ul style="list-style-type: none"> Roll-formed Aluminum Construction. No Odd/Fractional Sizes. Sizes Only as Listed.

As part of our continuous improvement program, we reserve the right to make further improvements without notice.

Submittal - LM - 0320